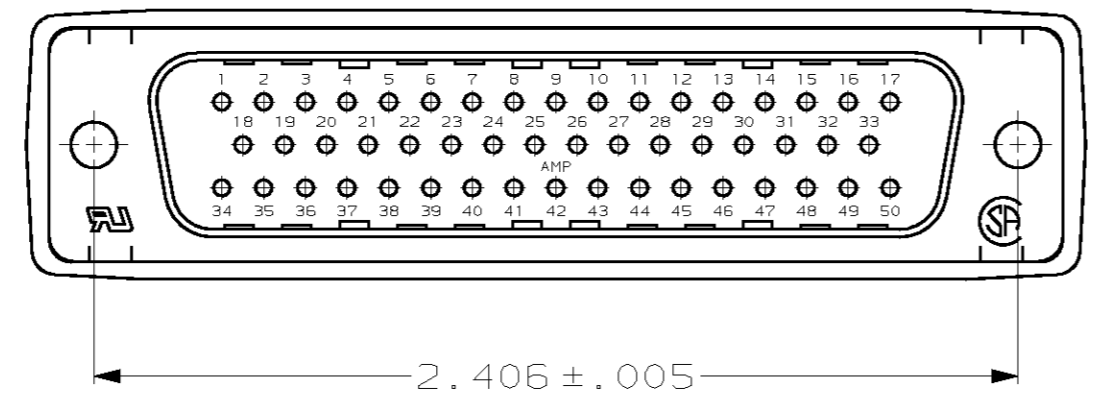
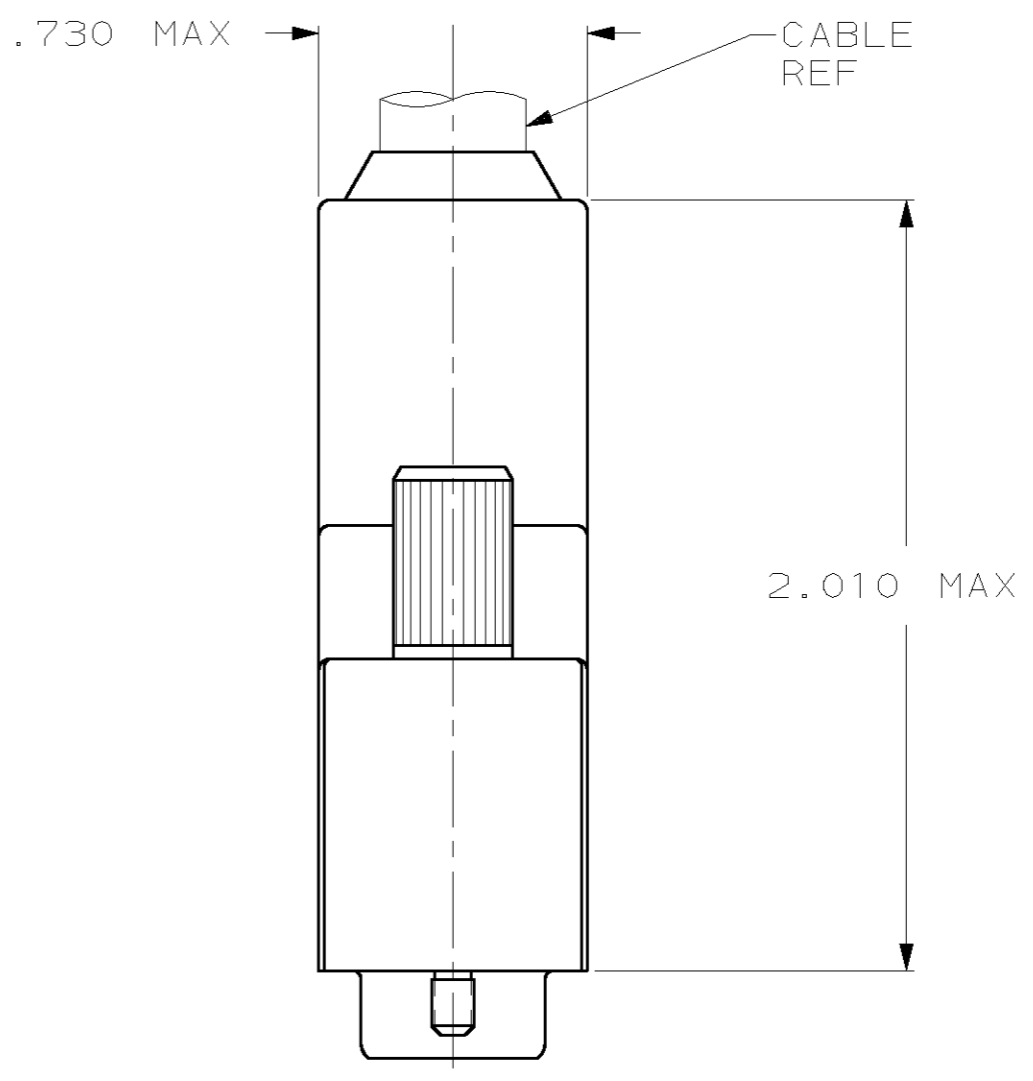
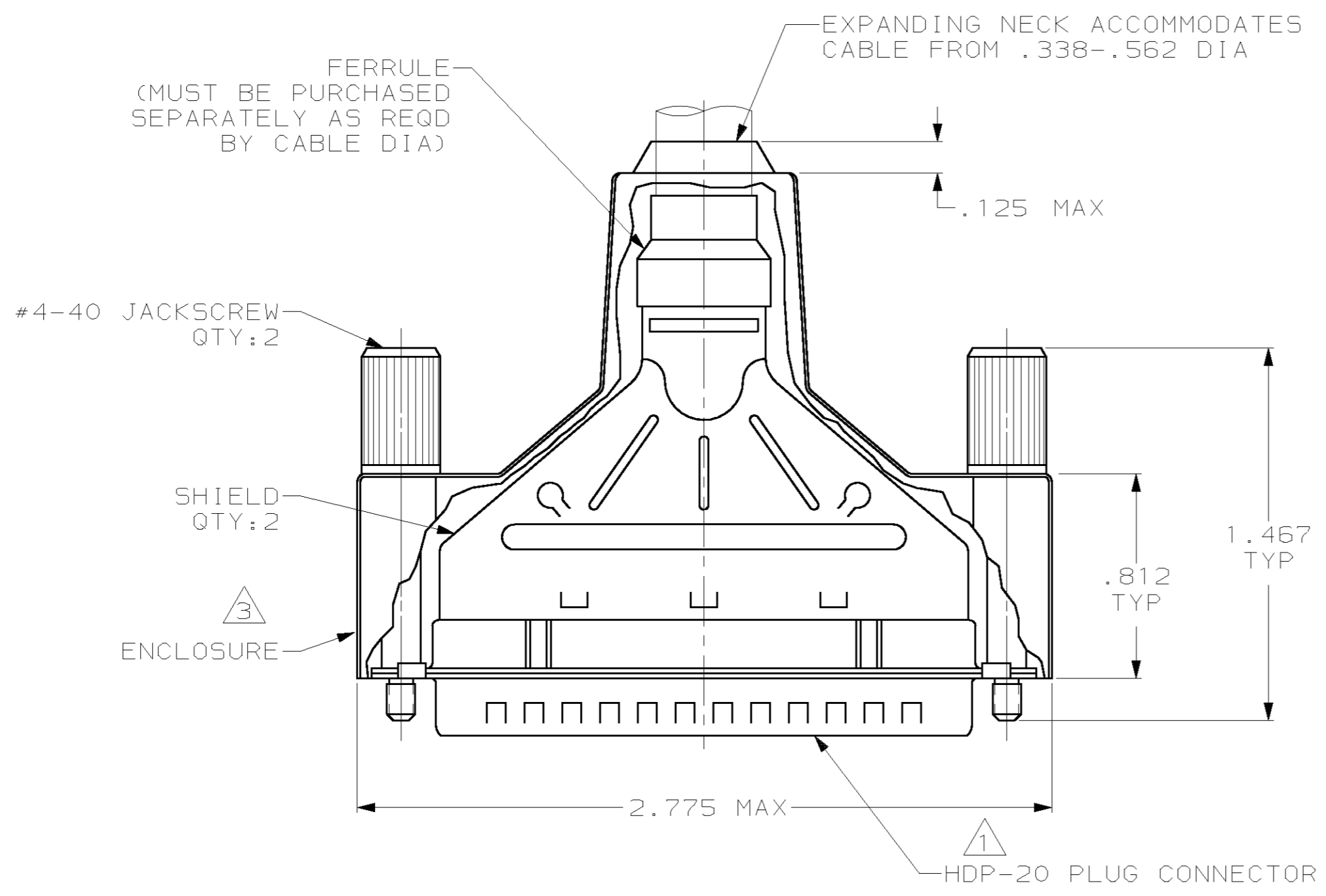


THIS DRAWING IS UNPUBLISHED. RELEASED FOR PUBLICATION
 (C) COPYRIGHT 19 BY AMP INCORPORATED. ALL RIGHTS RESERVED.

| LOC | | DIST | | REVISIONS | | | |
|-----|-----|------------------------------|---------|-----------|------|--|--|
| P | LTR | DESCRIPTION | DATE | DWN | APVD | | |
| 0 | | RELEASED PER EC 0513-0196-03 | 31JUL03 | JR | JG | | |



- ① PLUG ACCEPTS SIZE 20 DF PIN CONTACTS. CONTACTS MUST BE PURCHASED SEPARATELY.
- 2. ALL PARTS SHIPPED UNASSEMBLED.
- ③ FLAME RETARDANT 94V-0 RATED, STYRENE POLYOLEFIN OR PVC, BLACK.
- ④ FLAME RETARDANT 94V-0 RATED GLASS FILLED, NYLON OR POLYESTER, BLACK.
- ⑤ STEEL PER ASTM A109.
- ⑥ .000200 MIN TIN PLATE OVER .000100 MIN COPPER UNDERPLATE.
- ⑦ ZINC PHOSPHATE COATING, BLACK.
- ⑧ COMPONENTS INDIVIDUALLY BULK PACKED.

| | | |
|-----------|---------|-------------|
| ⑧ | W/LOGO | 1658661-1 |
| PACKAGING | REMARKS | PART NUMBER |

| | | | | | | | | | | |
|---|--|------------------|---------------------|------------------------|---|---|-------|-----------|------------|---------------|
| THIS DRAWING IS A CONTROLLED DOCUMENT. | | DWN | J.REITZEL | 31JUL03 | AMP Incorporated Harrisburg, PA 17105-3608 | | | | | |
| DIMENSIONS: | | CHK | S.BOLASH | 31JUL03 | | | | | | |
| INCH | | APVD | M.WALMSLEY | 31JUL03 | | | | | | |
| TOLERANCES UNLESS OTHERWISE SPECIFIED: 0 PLC ± 1 PLC ± 2 PLC ± 3 PLC ±.020 4 PLC ± ANGLES ± | | PRODUCT SPEC | 108-40030 | NAME | | BULK KIT, PLUG, SHIELDING ENCLOSURE, SIZE 5, 50 POSN, AMPLIMITE™ HDP-20 | | | | |
| MATERIAL INSERT: ④ | | FINISH | SHELLS & SHIELDS: ⑥ | JACKSCREWS: ZINC ALLOY | APPLICATION SPEC | 114-40030 | SIZE | CAGE CODE | DRAWING NO | RESTRICTED TO |
| SHELLS & SHIELDS: ④ | | WEIGHT | - | - | SCALE | 2:1 | SHEET | 1 OF 1 | REV | 0 |
| JACKSCREWS: ZINC ALLOY | | CUSTOMER DRAWING | | A2 00779 C- 1658661 | | | | | | |

1658661